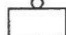


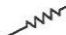
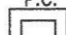



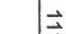

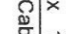
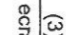
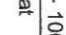

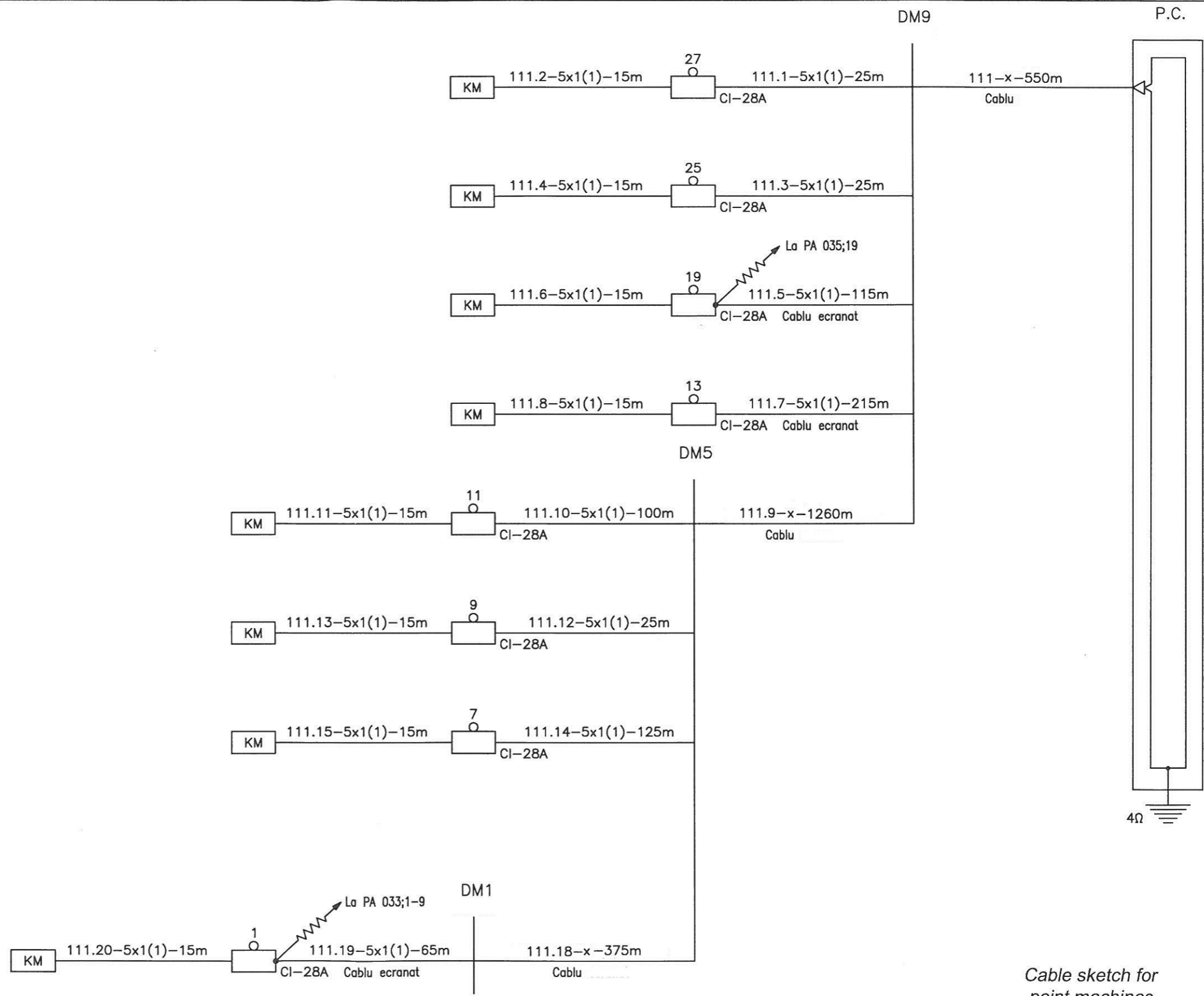


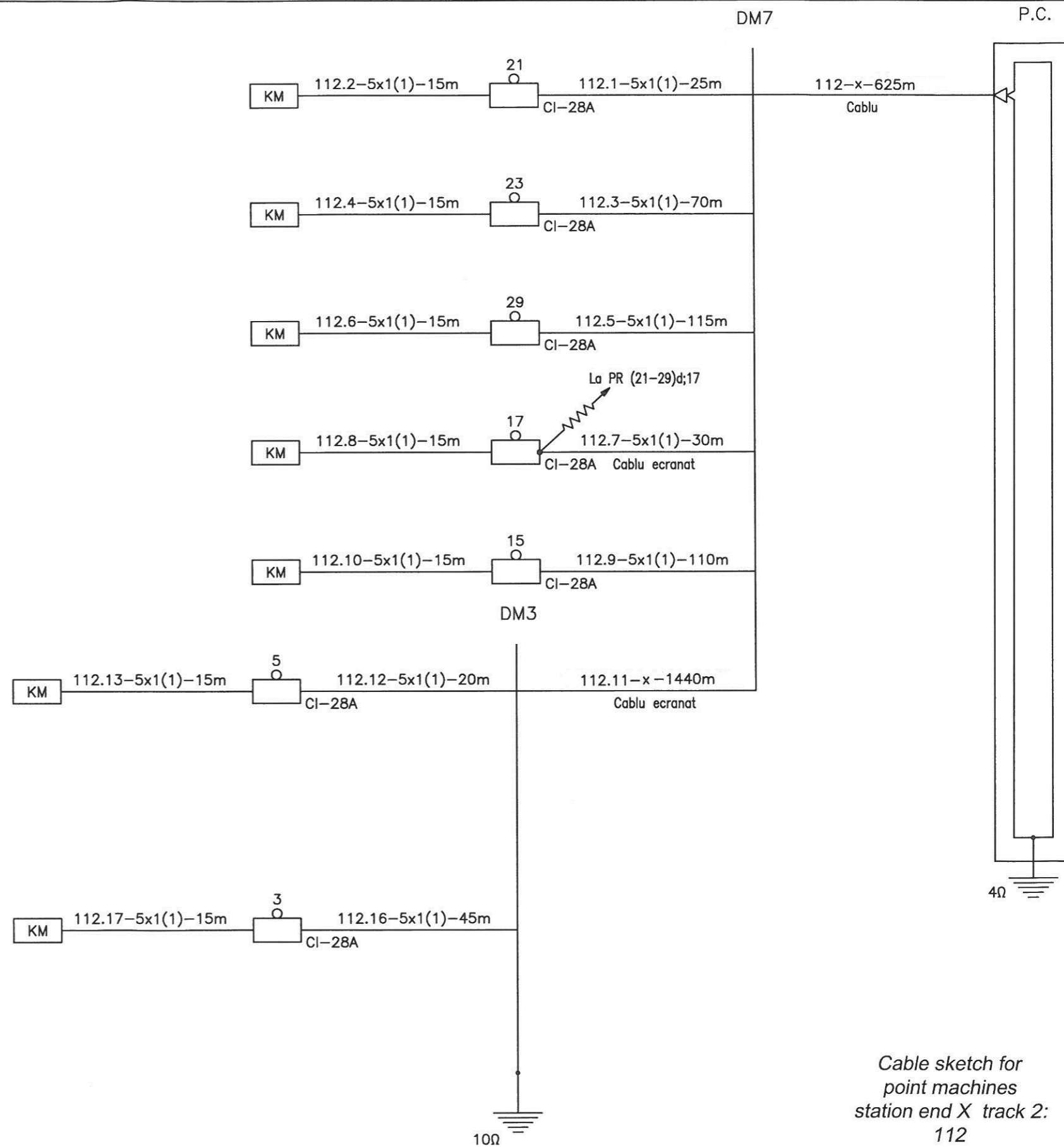
LEGENDA
LEGEND

	CUTIE PENTRU CABLUL ELECTROMECHANISMULUI DE MACAZ TRIFAZAT TALONABIL CABLE BOX FOR THREE PHASE TRAILABLE POINT MACHINE
	CONTROLOR DE AC POINT DETECTOR
	DISTRIBUTOR DE CABLURI DISTRIBUTOR BOX
	LEGATURA ECHIPOTENTIALA EQUIPOTENTIAL CONNECTION
	POST CENTRALIZARE INTERLOCKING POST
	TERMINAL DE CABLU CABLE TERMINAL
	PRIZA DE PAMANT EARTH PLATE
	111-24x1(3)-100m Cablu ecranat
	NUMARUL CABLULUI CABLE NUMBER
	NUMARUL DE CONDUCTOARE TOTAL NUMBER OF WIRES
	SECTIUNEA CONDUCTORULUI WIRE CROSS SECTION
	CONDUCTOARE DE REZERVA SPARE WIRES
	LUNGIMEA CABLULUI LENGTH OF CABLE
	TIPUL CABLULUI CABLE TYPE

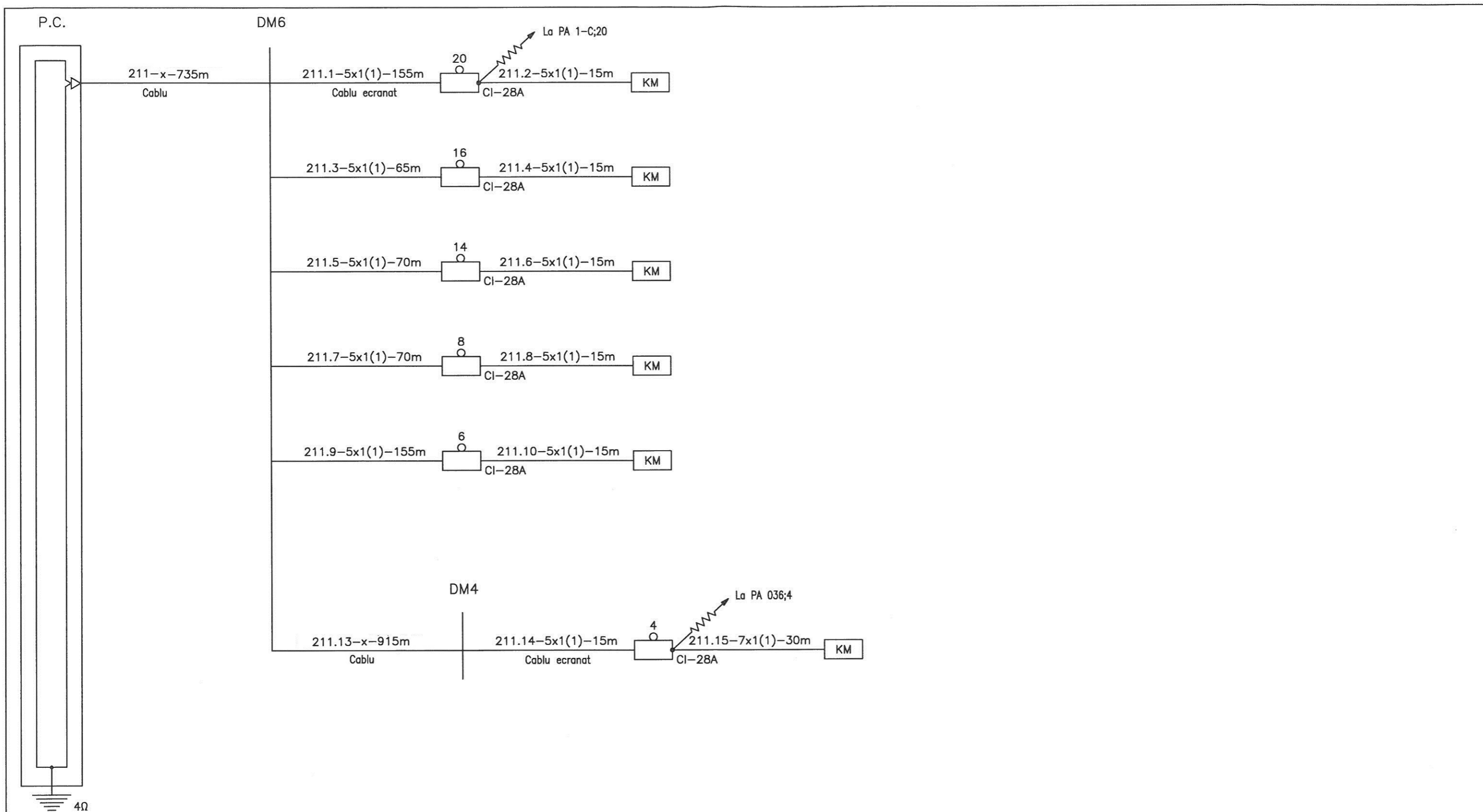
Indice Index	Data Date	Descriere Description	Semnatura Signature	Semnatura Signature	Semnatura Signature	Semnatura Signature
Modificare / Revision	E					
	D					
	C					
	B					
	A					
		 MINISTERUL TRANSPORTURILOR				
				BENEFICIAR / BENEFICIARY : COMPANIA NAȚIONALĂ DE CĂI FERATE "CFR" SA		
PROIECTANT / DESIGNER: 				Data / Date	Semnatura Signature	
Aprobat Approved	Sef de echipa Team leader	C. Teodorescu	01.2013			
Verificat Checked	Expert Cheie Key Expert	R. Trommer	01.2013			
Subcontractant / Subcontractor						
Aprobat Approved	Adjunct Sef de echipa Deputy Team leader	A.M. Baicu	01.2013			
Proiectat Designed	Inginer Engineer	A. Sopov	01.2013			
"Reabilitarea liniei c.f. Frontieră - Curtici - Simeria, parte componentă a coridorului IV Pan - European pentru circulația trenurilor cu viteză maximă de 160 km/h" Tronsonul 3 : Gurasada - Simeria "Rehabilitation of the Railway Line Border - Curtici - Simeria, component Part of the IV Pan - European Corridor for the Trains Circulation with maximum speed of 160 km/h" Section 3 : Gurasada - Simeria					Project 9i 35311.1 Faza / Phase: PTh +CS / TD + TS	
Denumire desen / Drawing Title : Plan cablaj electromecanisme de macaz - Stația MINTIA / MINTIA station - Cable sketch for point machines						
Scara / Scale		Revizia / Revision	Cod desen / Drawing Code		Nr / No	
-		1/16.05.2013	PT.03.04.24.SM.014		01/06	



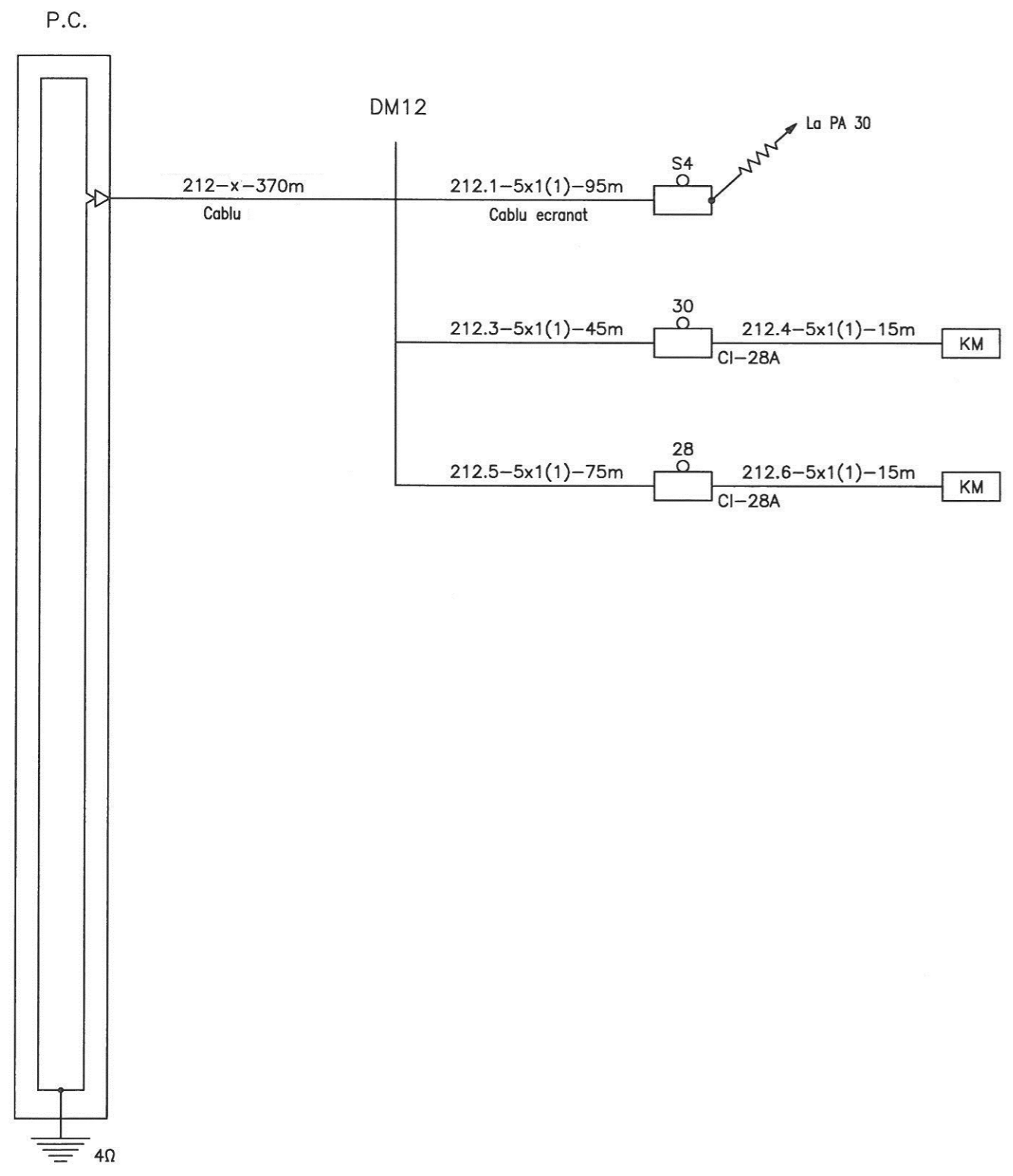
Cable sketch for
point machines
station end X track 1:
111
Plan de cablaj al
electromecanismelor de
macaz cap X firul 1:
111



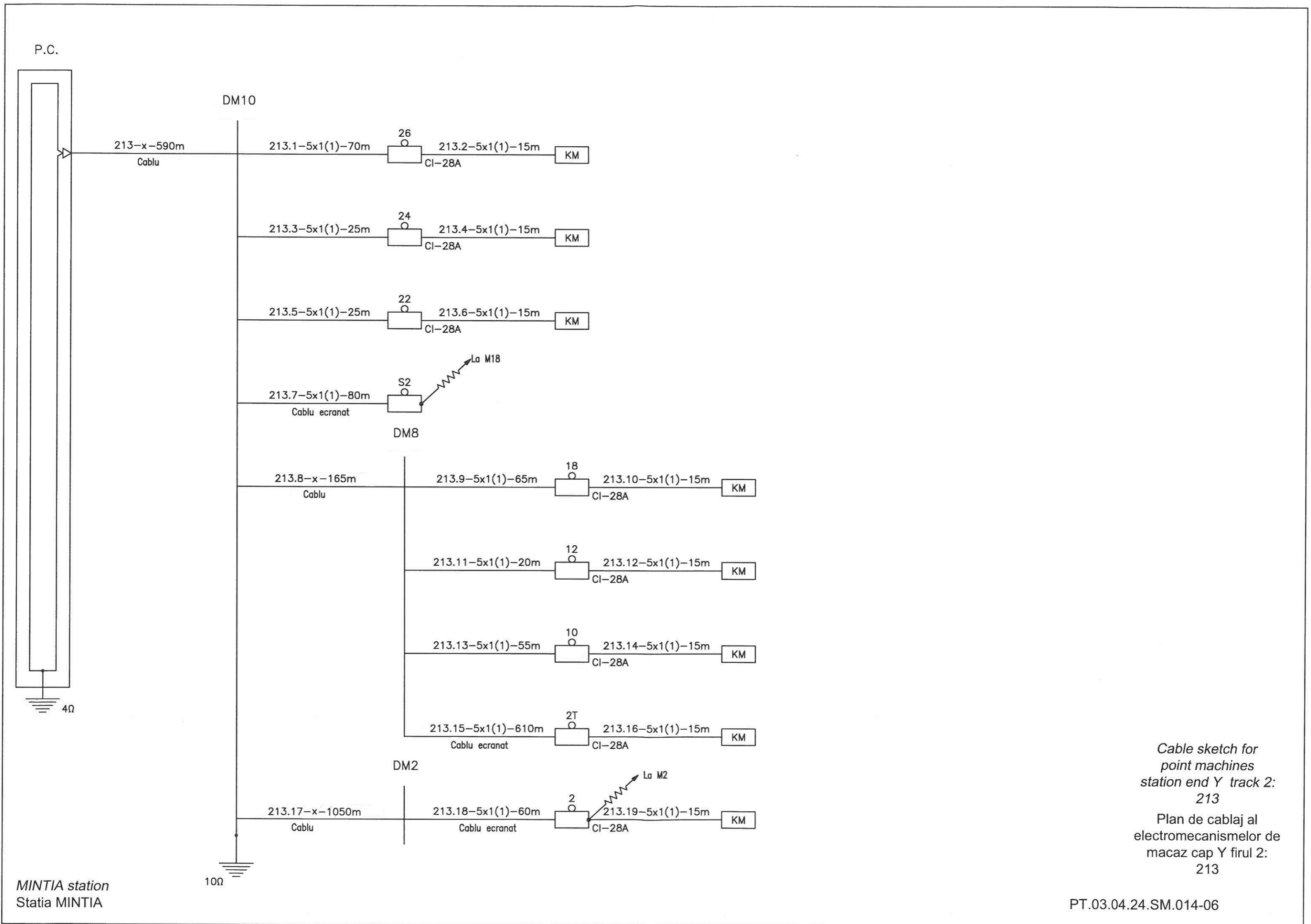
Cable sketch for
point machines
station end X track 2:
112
Plan de cablaj al
electromecanismelor de
macaz cap X firul 2:
112



Cable sketch for
point machines
station end Y track1:
211
Plan de cablaj al
electromecanismelor de
macaz cap Y firul 1:
211



Cable sketch for
point machines
station end Y track 2:
212
Plan de cablaj al
electromecanismelor de
macaz cap Y firul 2:
212



Cable sketch for
point machines
station end Y track 2:
213
Plan de cablaj al
electromecanismelor de
macaz cap Y firul 2:
213

MINTIA station
Statia MINTIA